

INSTALLATION GUIDE

RACK MOUNTING



1. MOUNTING HARDWARE

1.0. Rack Mounting Overview



*002B Shown

*All fasteners are black oxide coated; they are shown in silver here for clarity

1.0.0. RACK 000 00X Components and Leg Assembly



RACK 000 000: 47.30"
 RACK 000 001: 49.40"
 RACK 000 002: 49.40"
 RACK 000 003: 67.40"

RACK 000 000: 4.00"
 RACK 000 001: 6.40"
 RACK 000 002: 10.70"
 RACK 000 003: 6.40"

1.0.1. RACK Replacement Parts

ITEM	CODE	PART NUMBER	DESCRIPTION	QUANTITY
1	CLIP 000 000B	40082-B	Gobi Rail Clamp, 3/8-16 x 1" SS Serrated Flange Bolt & Nut (set of 4)	1 / Gobi
2	RAIL 001 000B RAIL 002 000B	40092-B 40090-B	2x51" Gobi Mounting Rail with end caps, 1xCLIP 000 000B set 2x102" Gobi Mounting Rail with end caps, 2xCLIP 000 000B set	See Note 1
3	RACK 000 000B RACK 000 001B RACK 000 002B RACK 000 003B	40083-B 40081-B 40080-B 40093-B	Commercial Rack Mount, 4" Front Leg, 47" Rear Leg Flat Roof Rack Mount, 4" Front Leg, 47" Rear Leg Flat Roof Rack Mount, 8" Front Leg, 47" Rear Leg Flat Roof Rack Mount, 4" Front Leg, 67" Rear Leg	# Gobi + 1 ⁴
4	RAIL 000 001	40089	Splice Kit for Joining Rails (Includes 2 for upper and 2 for lower rail)	1 Kit

¹. Order minimum quantity of rails that will accommodate number of collectors in array.

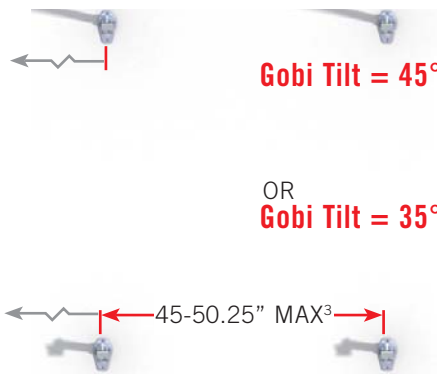
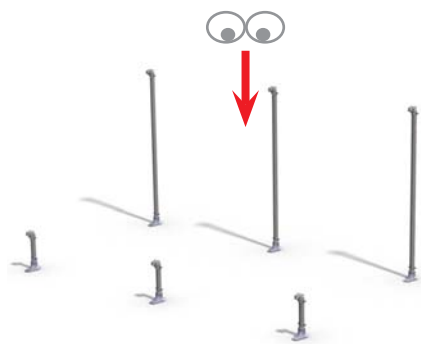
². RACK 000 00X Kits require field assembly.

³. Racks are not for tilts greater than 45°

⁴. May not be appropriate for site penetration and or loading conditions. Consult a structural engineer for advice on proper securing hardware for your installation.

1.1. Rack Installation

1.1.0. Rack Leg Spacing

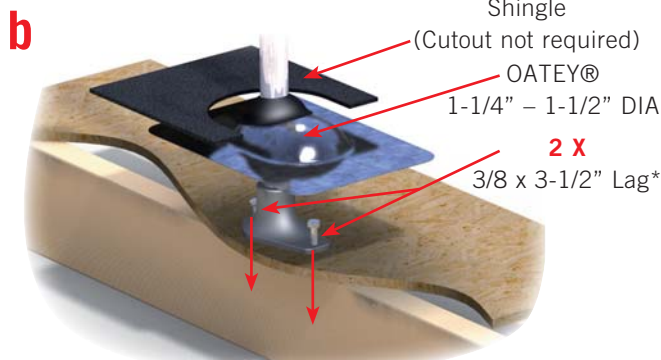
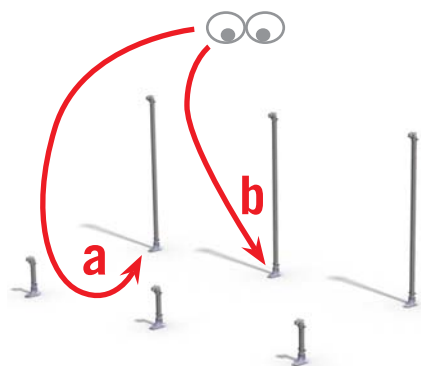


RACK 000 000:	43.0"
RACK 000 001:	43.3"
RACK 000 002:	38.7"
RACK 000 003:	61.3" (Gobi 410)
OR	
RACK 000 000:	61.8"
RACK 000 001:	61.4"
RACK 000 002:	55.3"
RACK 000 003:	87.5" (Gobi 410)

1. Spacing for tilt is independent of collector size.
2. For other tilts the distance between front and rear mounting points =
3. When using rail splices, space rack legs to ensure splices line up with legs (sec 1.1.4).

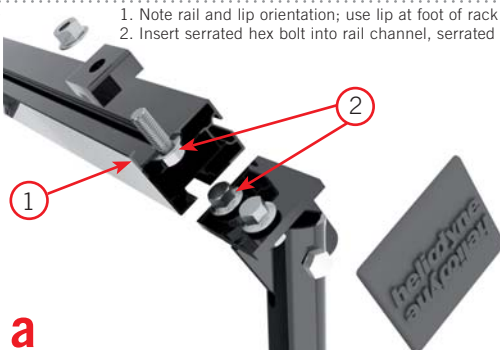
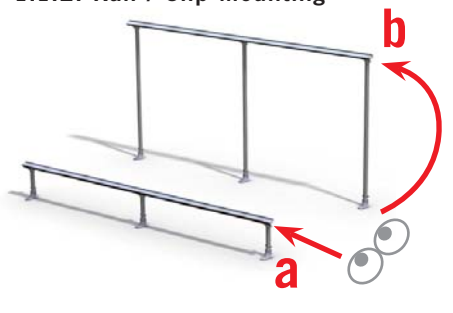
$$\frac{\text{(Rear Leg Height - Front Leg Height)}}{\tan(\text{Gobi Tilt Angle})}$$

1.1.1. Rack Foot Mounting



*While lag screws are provided with most kits, consult the American Wood Council NDS 2005 for proper lag screw specifications, or verify with a certified structural engineer, for each specific roof site. Heliodyne is not responsible for mounting anchor integrity.

1.1.2. Rail / Clip Mounting



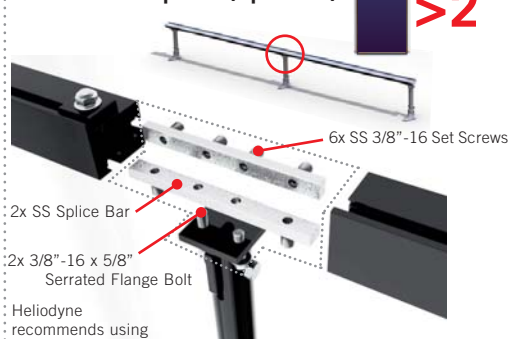
1. Note rail and lip orientation; use lip at foot of rack oriented upwards to hold GOBI.
2. Insert serrated hex bolt into rail channel, serrated hex nut compressing clip / rail foot.

1.1.3. Collector Mounting



3. Brace rails for first collector
4. Place first collector and install all (4) Heliodyne Clips. Tighten bolts on Heliodyne Clips to engage locking serrated flange nut.
5. Insert O-rings, tighten Unions. Take care not to crimp O-ring. Do not use thread lock or sealants

1.1.4. Rail Splice (optional)



Heliodyne recommends using a long lasting thread locker, such as Loctite 277, on rail splice kits.

Heliodyne, Inc. • 4910 Seaport Avenue • Richmond, CA 94804
T: 510.237.9614 • F: 510.237.7018
www.heliodyne.com
Sales Inquiries: sales@heliodyne.com
Information and Support: info@heliodyne.com