

INSTALLATION GUIDE

SIDE RACK MOUNTING



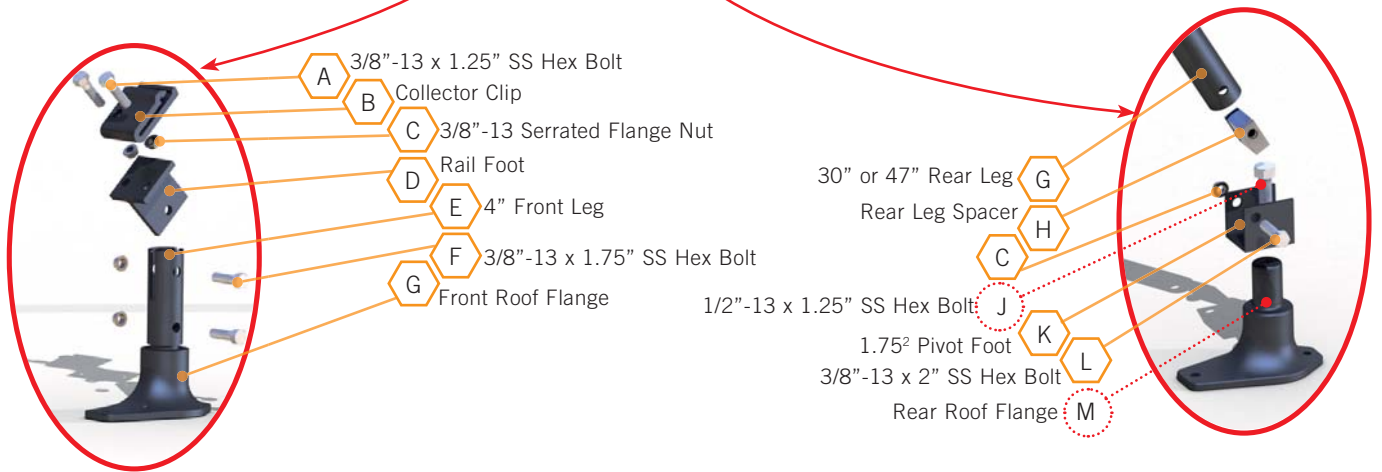
1. SIDE RACK INSTALLATION

1.0. Side Rack Overview

RACK 000 005
with add-on
RACK 000 007
shown



1.0.1. RACK 000 005 & 006 Components



Rack 000 005 & 006

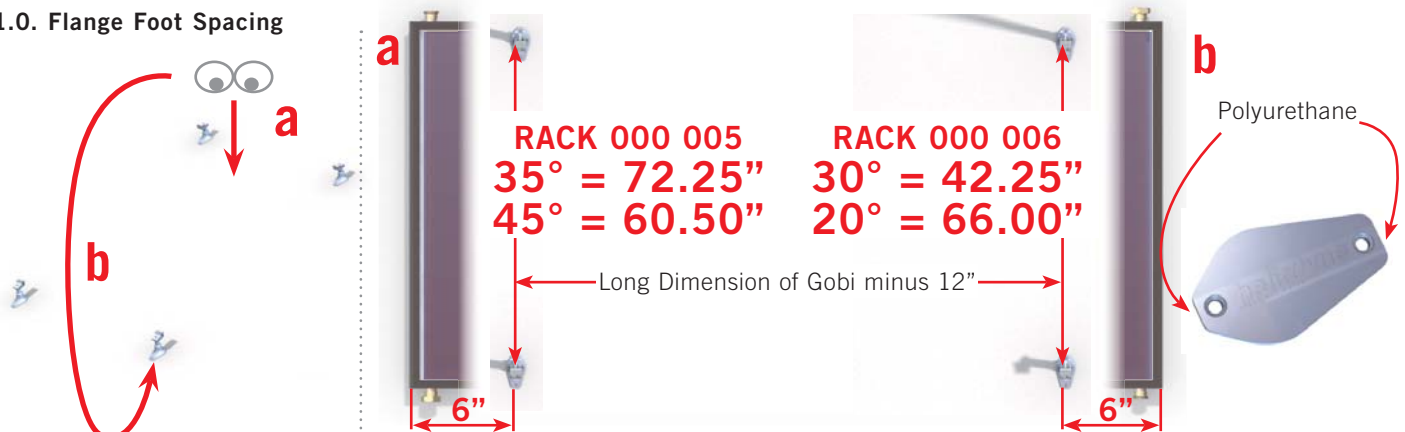
Comes Separately in RACK 000 007 Only

1.0.2. Side Rack Replacement Parts

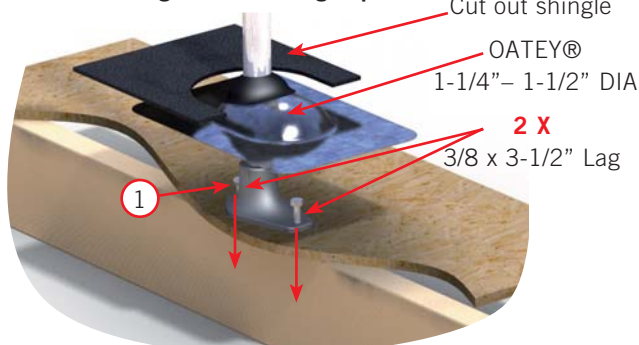
ITEM	CODE	PART NUMBER	DESCRIPTION	QUANTITY
1	RACK 000 005	40094	Side Rack Leg Kit With 47" Rear Tilt Leg (Tilt > 30)	2 / Gobi
2	RACK 000 006	40103	Side Rack Leg Kit With 30" Rear Tilt Leg (15 < Tilt < 30)	2 / Gobi
3	RACK 000 007	40104	Rear Flange Kit Set	1 / Rack Set

1.1. Side Rack Installation

1.1.0. Flange Foot Spacing

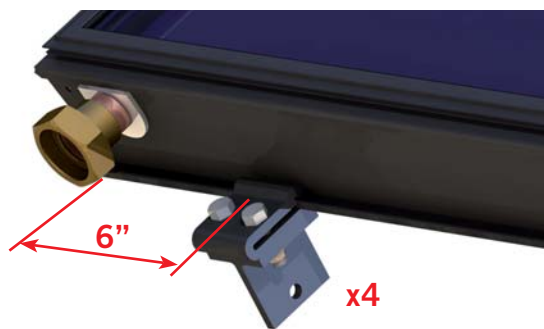


1.1.1. Feet Mounting and Flashing (optional)



1. Drill 1/4" hole for lag screw, fill with polyurethane; torque screws until secure.
*Consult American Wood Council NDS 2005 for proper lag screw specifications and installation criteria for the specific roof site.

1.1.2. Collector Preparation



Install collector clip and rail mount foot on each corner of collector, 6" from short end of collector to centerline of clip; torque the 3/8" hex bolts to no less than 30lb-ft

1.1.3. Leg Installation

First secure legs and spacers to appropriate feet. Tighten rear legs only slightly to allow tilting in final step.



1.1.4. Front Collector Installation

Install front rail feet into 4" legs, insert 3/8" bolts and tighten only slightly to allow tilting in final step.

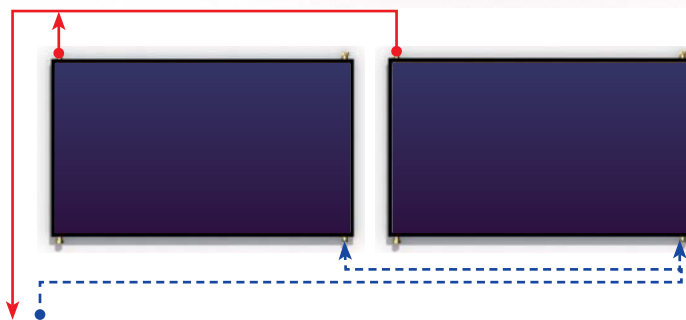


1.1.5. Rear Collector Installation

Install rear rail feet into 47" legs, insert 3/8" bolts and secure. Finish securing the front bolts. Secure all hardware.



1.2. Side Rack Plumbing



Heliodyne, Inc. • 4910 Seaport Avenue • Richmond, CA 94804
T: 510.237.9614 • F: 510.237.7018
www.heliodyne.com
Sales Inquiries: sales@heliodyne.com
Information and Support: info@heliodyne.com