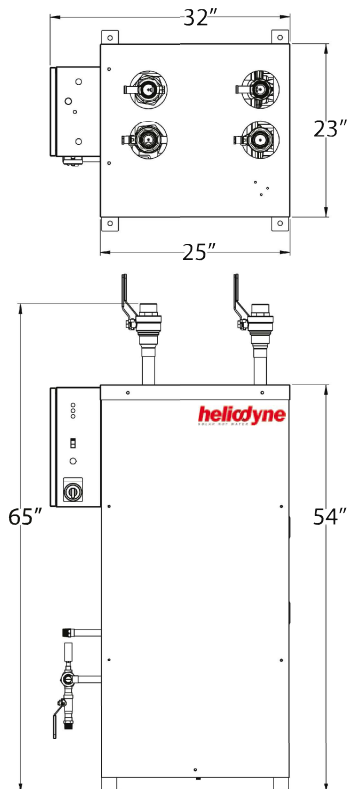


1.5.3 HCOM Standard

Not suitable for outdoor installation / 30 amp dedicated breaker needed

Standard Models	HCOM 825	HCOM 550	HCOM 275	HCOM 180	HCOM 120
Ball Valve Connections - Collector	4"	3"	2.5"	2"	1-1/2"
Ball Valve Connections - Storage Tank	3"	2.5"	2"	1-1/2"	1-1/2"
Power Supplies	Single Phase 230VAC, 60Hz, 20A		Single Phase 115VAC, 60Hz, 20A		
Collector Side Circulator	MAGNA3 65-150 (230V)		UPS 40-160 (115V)		UPS 32-160 (115V)
Storage Tank Side Circulator	UPS 40-80/4 B (230V)		UPS 40-80/4 B (115V)	UPS 32-80 B (115V)	
Maximum Collector Surface Area (ft ²)	96 GOBI G410 3,855 ft ²	64 GOBI G410 2,570 ft ²	32 GOBI G410 1,285 ft ²	24 GOBI G410 964 ft ²	16 GOBI G410 642 ft ²
Pressure Drop	15'	15'	15'	10'	10'
Pressure Relief	3/4", 150 PSI				
Potable Water Backwash & Glycol Catch Tank	No				
Maximum Operating Conditions	150 PSIg / 230°F				
Heat Transfer Fluid	0-50% Dyn-O-Flo HD and Water				
Securing and Leveling	4x Holes in Mounting Feet for 1/2" Lag Bolts				
Shipping Weights in lbs.	900	750	650	500	400

For semi-outdoor installation, specify HCOM xxx x1x. HCOM xxx x1x is a "weatherized" version, with the controller enclosure NEMA 4 classified, and the plumbing fixtures, pumps, etc. enclosure NEMA 3 classified.



STD Frame for HCOM STD 120-275.
HCOM STD 550 and 825 are in Premium frame on next page.



Standard HCOM 180

Note: Internal plumbing is subject to change for improvements. Above image may not reflect final system configuration.

Figure 1.5.4. HCOM Standard Dimensions

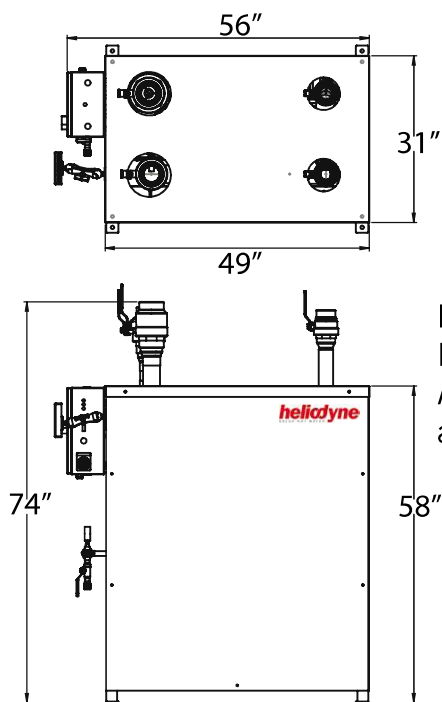
1.5. HCOM Technical Specifications

1.5.1 HCOM Premium

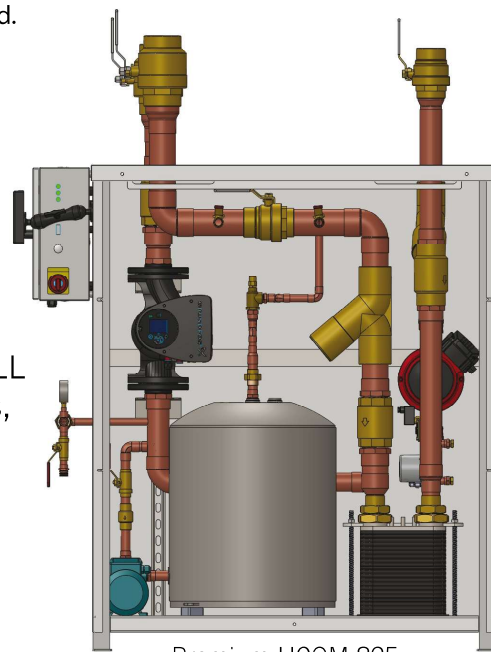
Not suitable for outdoor installation / 30 amp dedicated breaker needed

Premium Models	HCOM 825	HCOM 550	HCOM 275	HCOM 180	HCOM 120
Ball Valve Connections - Collector	4"	3"	2.5"	2"	1-1/2"
Ball Valve Connections - Storage Tank	3"	2.5"	2"	1-1/2"	1-1/2"
Power Supplies	230VAC, 60Hz, 20A		Single Phase 115VAC, 60Hz, 20A		
Collector Side Circulator	MAGNA3 65-150 (230V)		MAGNA3 40-180 (115V)		
Storage Tank Side Circulator	UPS 40-80/4 B (230V)		UPS 40-80/4 B (115V)	UPS 32-80 B (115V)	
Maximum Collector Surface Area (ft ²)	96 GOBI G410 3,855 ft ²	64 GOBI G410 2,570 ft ²	32 GOBI G410 1,285 ft ²	24 GOBI G410 964 ft ²	16 GOBI G410 642 ft ²
Pressure Drop	25'	18'	15'	10'	10'
Pressure Relief	Dual 3/4", 150 PSI			3/4", 150 PSI	
Potable Water Backwash & Glycol Catch Tank	Yes				
Maximum Operating Conditions	150 PSIG / 230°F				
Heat Transfer Fluid	0-50% Dyn-O-Flo HD and Water				
Securing and Leveling	4x Holes in Mounting Feet for 1/2"-13 Threaded Lag Bolts				
Shipping Weights in lbs.	1,000	880	790	480	420

For semi-outdoor installation, specify HCOM xxx x1x. HCOM xxx x1x is a "weatherized" version, with the controller enclosure NEMA 4 classified, and the plumbing fixtures, pumps, etc. enclosure NEMA 3 classified.



Premium frame for ALL HCOM Premium sizes, AND HCOM STD 550 and HCOM STD 825



Premium HCOM 825

Note: Internal plumbing is subject to change for improvements. Above image may not reflect final system configuration.

Figure 1.5.2. HCOM Premium Dimensions