

## SOLAR COLLECTORS

The new GOBI has undergone a complete transformation making it the industry's best flat plate collector. By redesigning the frame and incorporating state of the art components, the GOBI has a reduced profile and even better performance. With 3 sizes, there is a GOBI collector for every type of solar water heating application.

**Thinnest Profile** – The redesigned frame is easier to handle for installers and offers the end user a streamlined, sleek look on their roof compared to bulky traditional flat plate collectors.

**Rated Top Performance** – New SRCC ratings certify that the GOBI now ranks among the best OG-100 collectors. The high energy output of the GOBI offers maximum performance out of the solar hot water system.

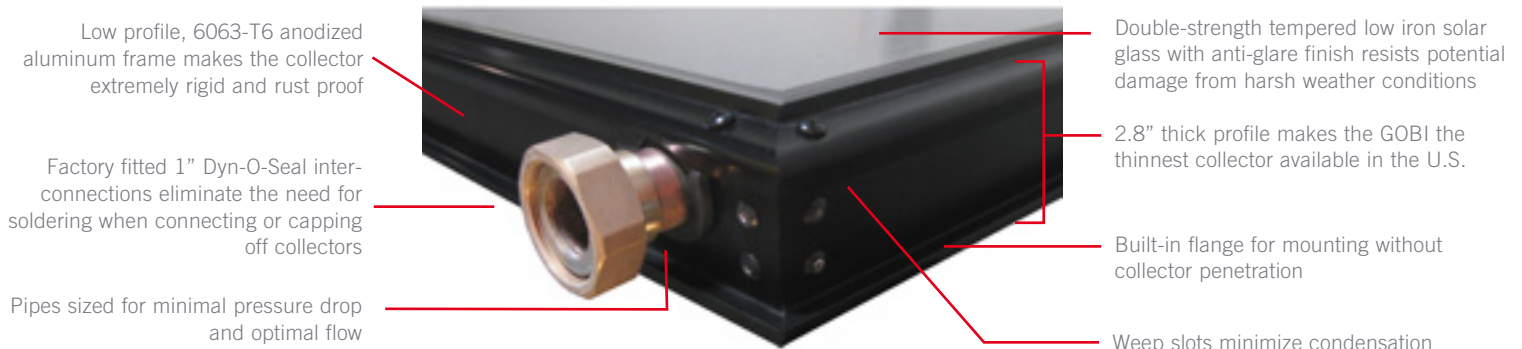
**Easiest to Install** – The GOBI retains its unique Dyn-O-Seal (DOS) union interconnection method. DOS unions come factory assembled and eliminate the time consuming task of soldering each collector together in an array.

### New Design Features

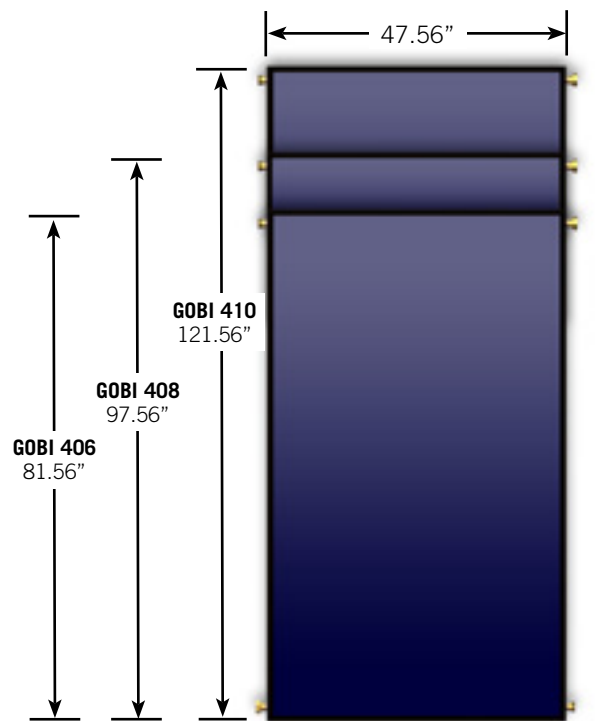
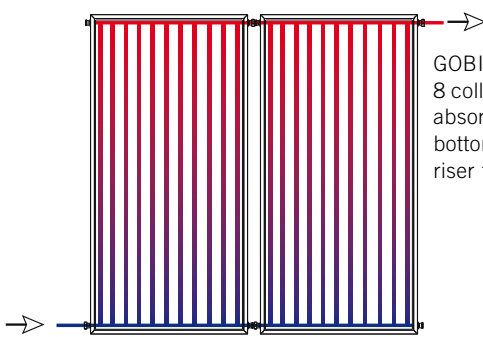
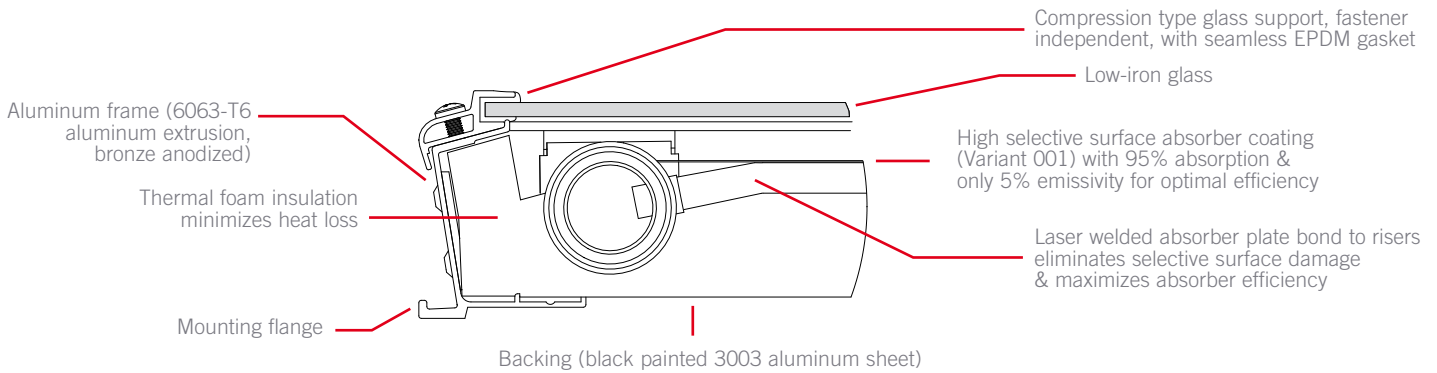
- 1" reduction in frame thickness
- Improved insulation
- Full plate absorber
- Rounded frame edge
- OG-100 certified with higher performance and efficiency



*DOS unions are included to connect and cap off collectors*



# TECHNICAL SPECIFICATIONS



NOTE: GOBIs all have a depth of 2.8"

## SRCC SRCC OG-100 RATINGS (CLEAR DAY)

Category (Ti-Ta)	GOBI 406 001	GOBI 408 001	GOBI 410 001
Certification Number	2010115C	2010115D	2010115A
A (-9°F)	40.0	48.3	60.3
B (9°F)	36.3	43.8	54.7
C (36°F)	30.5	36.8	46.0
D (90°F)	20.4	24.6	30.8
E (144°F)	11.4	13.8	17.4

MODEL	GOBI 406	GOBI 408	GOBI 410
Gross Area	26.94 ft <sup>2</sup>	32.22 ft <sup>2</sup>	40.26 ft <sup>2</sup>
Net Area	24.83 ft <sup>2</sup>	29.93 ft <sup>2</sup>	37.33 ft <sup>2</sup>
Dry Weight	74 lbs.	102 lbs.	128 lbs.
Fluid Capacity	0.6 gal	0.7 gal	1.3 gal
Maximum Operating Pressure	150 psi (10.34 Bar)		
Recommended Design Flow Rate (glycol/water mix)	0.8 gal/min	1.0 gal/min	1.25 gal/min
Recommended Design Flow Rate (water)	0.7 gal/min	0.8 gal/min	1.0 gal/min
Wind Load Certification	50 psf (2.39 kPa)		

1033\_0328\_US © 2019 Heliodyne, Inc. • Heliodyne® and Excellence by Design® are registered trademarks of Heliodyne, Inc.

Heliodyne, Inc. • 4910 Seaport Avenue • Richmond, CA 94804  
 T: 510.237.9614 • F: 510.237.7018 www.heliodyne.com  
 Information and Support: info@heliodyne.com

**heliodyne**  
 SOLAR HOT WATER